

COMPATIBLE WITH ALL PREVIOUS LBSA SMART BATTERIES

5.3KW Max Continuous Load

Cycle life

10 Year or 4500 cycles (9000 Cycles on BMS display) Warranty
Applicable for all batteries purchased after 2022/11/21

Details:

CAN Bus Comms: Victron, Growatt, Sunsynk, DEYE

Bulk + Absorption: **56.2v**

Float : **56.2v**

Low Voltage Cut Off: **44v**

Maximum continuous Charge/Discharge For Single Unit: **100A (Recommended 50A)**

Charge for Parallel units: **(100A*"Units In parallel") / 2**

Discharge for Parallel units: **100A * "Units in parallel"**

Display Definitions:

OV - Warn: high pressure alarm

OV - Prot: over-voltage protection

UV - Warn: low pressure alarm

UV - Prot: under-voltage protection

OT-Warn : High temperature alarm

OT-Prot : Over temperature protection

UT - Warn: low temperature alarm

UT - Prot: low temperature

OC - Warn: over-current alarm

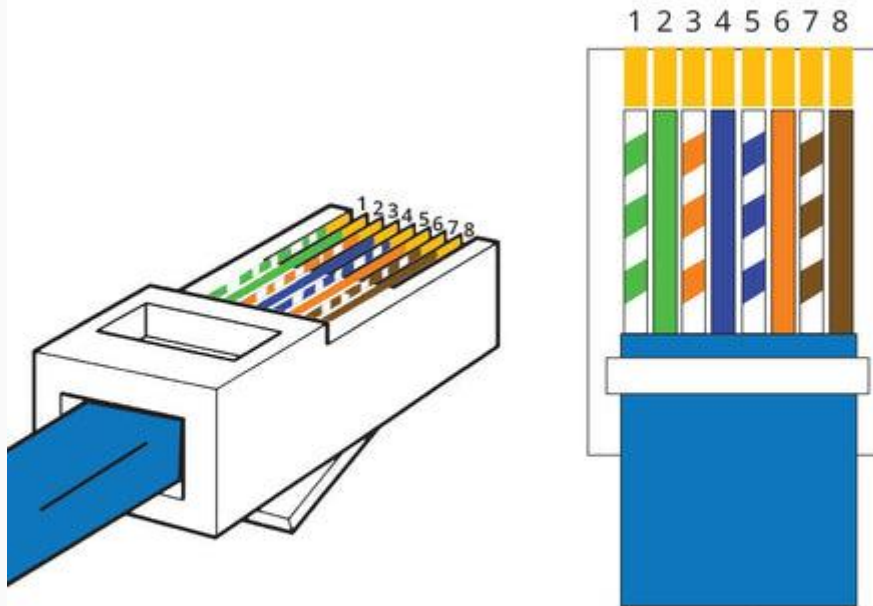
OC - Prot: over-current protection

CAPA - Warn: remaining capacity of the alarm

OFF - USE: failure alarm

SCP : Short circuit protection

VICTRON-LBSA BMS RJ-45 CAN BUS PINOUT



VE.CAN	LBSA BMS CAN
3	3
7	4
8	5

CAN Communication									
	Master Packs (#1, #2, #3, #4 set OFF) #5, #6, #7, #8 set as follows				Slave Packs (#5, #6, #7, #8 set OFF) #1, #2, #3, #4 set as follows				
	8	7	6	5		4	3	2	1
One pack	OFF	OFF	OFF	OFF					
2 packs in parallel	OFF	OFF	OFF	ON	1 st slave pack	OFF	OFF	OFF	ON
3 packs in parallel	OFF	OFF	ON	OFF	2 nd slave pack	OFF	OFF	ON	OFF
4 packs in parallel	OFF	OFF	ON	ON	3 rd slave pack	OFF	OFF	ON	ON
5 packs in parallel	OFF	ON	OFF	OFF	4 th slave pack	OFF	ON	OFF	OFF
6 packs in parallel	OFF	ON	OFF	ON	5 th slave pack	OFF	ON	OFF	ON
7 packs in parallel	OFF	ON	ON	OFF	6 th slave pack	OFF	ON	ON	OFF
8 packs in parallel	OFF	ON	ON	ON	7 th slave pack	OFF	ON	ON	ON
9 packs in parallel	ON	OFF	OFF	OFF	8 th slave pack	ON	OFF	OFF	OFF
10 packs in parallel	ON	OFF	OFF	ON	9 th slave pack	ON	OFF	OFF	ON
11 packs in parallel	ON	OFF	ON	OFF	10 th slave pack	ON	OFF	ON	OFF
12 packs in parallel	ON	OFF	ON	ON	11 th slave pack	ON	OFF	ON	ON
13 packs in parallel	ON	ON	OFF	OFF	12 th slave pack	ON	ON	OFF	OFF
14 packs in parallel	ON	ON	OFF	ON	13 th slave pack	ON	ON	OFF	ON
15 packs in parallel	ON	ON	ON	OFF	14 th slave pack	ON	ON	ON	OFF
16 packs in parallel	ON	ON	ON	ON	15 th slave pack	ON	ON	ON	ON